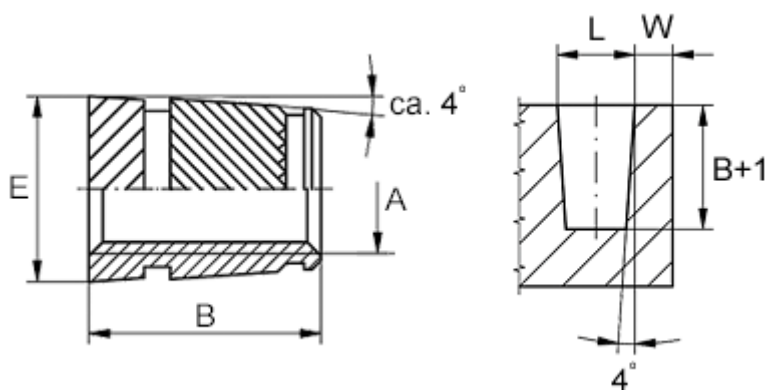


Data Sheet



Article number: 12853100020800
Description: KLEE-coil 853 100 020.800
M2 brass

Measures



Female thread A	= M2
Length B	= 5.0
Min distance to edge W	= 1.5
Outer diameter E	= 4.1
Recommended bore diameter $W + 0.1$	= 3.8